



Linear Ball Bearing Bushes: Straight and with Centre Collar

Code:
G149
G175

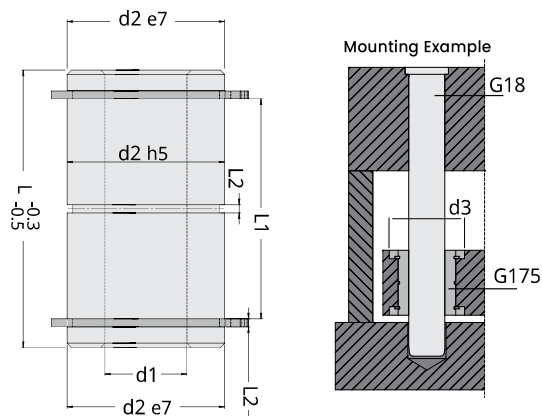
Mould & Die Solutions

NEW



Linear Ball Bearing Bush
with Circlips

Code: **G175**



Operating Temp.: Max. 200^o

Order Code	d1	L	d2	L1	L2	d3	Ball Dia.	Line Pcs.
G1751226	12	26	24	17	1.2	34	3	5
G1751834	18	34	30	25	1.5	41	3	6
G1751844	18	44	30	35	1.5	41	3	6
G1752034	20	34	32	25	1.5	43	3	6
G1752044	20	44	32	35	1.5	43	3	6
G1752544	25	44	40	30	1.75	51	3	8
G1752554	25	54	40	40	1.75	51	3	8
G1753054	30	54	48	40	1.75	61	4	8
G1753063	30	63	48	50	1.75	61	4	8



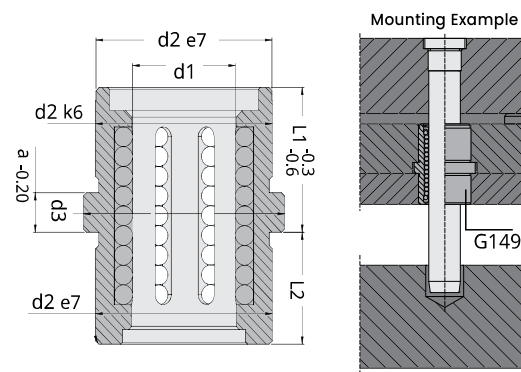
interior view

NEW



Linear Ball Bearing Bush
with Centre Collar

Code: **G149**



Operating Temp.: Max. 200^o

d1	L1	L2	d2	d3	a	Ball Dia.	Line Pcs.
10	12	9	20	24	6	2.5	5
	17						
12	17	9	24	28	6	3	5
		12					
18	22	12	30	34	6	3	6
		17					
20	22	17	32	36	6	3	6
25	27	17	40	45	6	3	8
		22					
30	32	22	48	54	8	4	8
		27					
40	36	27	60	66	8	4	8
		27					



Order:

G149. d1 x L1 x L2

Güvenal Linear Ball Bushings are designed for high-performance linear motion in demanding tooling and mould making applications. Each bushing features a precision-ground steel outer shell and a durable bronze internal cage that guides multiple rows of recirculating ball bearings. Unlike conventional designs, the rolling elements in Güvenal bushes move at a slight angle relative to the axis of motion. This angled path increases the contact area with the pillar, significantly enhancing load capacity and operational stability. The all-metal construction ensures high resistance to heat, wear, and contamination—making these bushings ideal for environments where thermal and mechanical stress are common. Güvenal bushes are available in four different outer geometries, all sharing the same internal ball guidance system to ensure consistent performance across configurations.