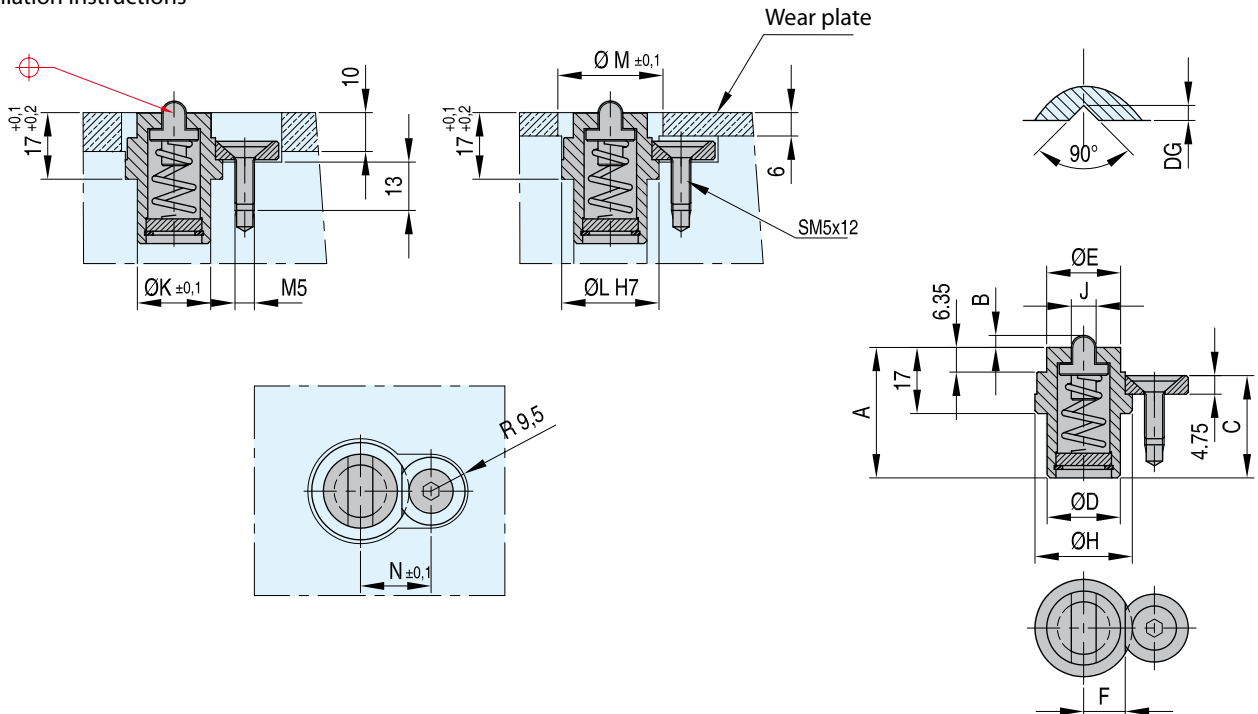


Small in size yet strong holding power  
 Product design facilitates easy installation  
 Slide can be removed without the removal of the slide retainer  
 Self-contained design

Line contact engagement  
 Three retaining rates: 44, 88 and 176 Newton  
 Max. temperature 120°C

Installation instructions



CAD reference point

REF	Mini Might™ Slide retainer								Max. Slide weight Kg	DG mm	Pocket dimensions			
	A	B	C	D	E	F	H	J			K	L	M	N
<b>PSR 1000</b>	27,43	1,83	20,20	15,75	16	9,52	22	17,5	4,4	2,3	15,87	22	24	17,0
<b>PSR 2000</b>	33,53	3,07	26,30	18,8	19	10,67	25	21,5	8,8	3,9	19,05	25	27	18,2
<b>PSR 4000</b>	32,00	3,78	24,76	22,1	22	11,86	28	31,5	17,6	4,9	22,23	28	30	19,4