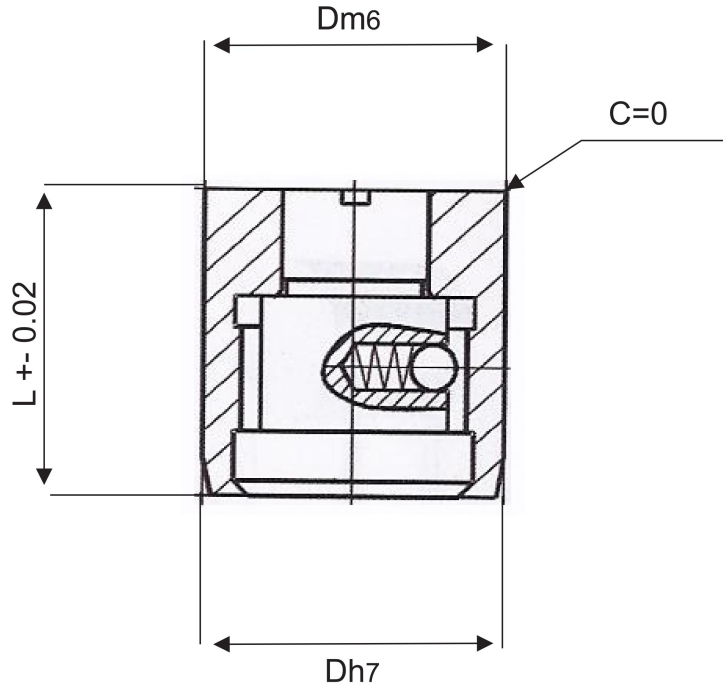


Hardness: HRC50 +-2



Outer Ring:	Months	Year	Months	Dm6	Dh7	L
Inner:	Arrow and Year	Blank Arrow	Blank Arrow			
	DDS0408-(Year required)	DDS0408-Y (Starting Year required)	DDS0408-M	4	4	8
	DDS0508-(Year required)	DDS0508-Y (Starting Year required)	DDS0508-M	5	5	8
	DDS0610-(Year required)	DDS0610-Y Starting (Year required)	DDS0610-M	6	6	10
	DDS0810-(Year required)	DDS0810-Y (Starting Year required)	DDS0810-M	8	8	10
	DDS1010-(Year required)	DDS1010-Y (Starting Year required)	DDS1010-M	10	10	10
	DDS1012-(Year required)	DDS1012-Y (Starting Year required)	DDS1012-M	10	12	10
	DDS1212-(Year required)	DDS1212-Y (Starting Year required)	DDS1212-M	12	12	12
	DDS1614-(Year required)	DDS1614-Y (Starting Year required)	DDS1614-M	16	16	14
	DDS2014-(Year required)	DDS2014-Y (Starting Year required)	DDS2014-M	20	20	14

Order Example: *DDS1212-16 (for 2016)*

DDS1212-Y16 (for 2016)

DDS1212-M