

M 420 Stainless Steel **H** 50-54 HRC
 Note: All dimensions are in millimeters.

| D Nominal Ring Diameter | L | C | A | L2 | B From Graphic Below | P |
|-------------------------------|----|------|-----|----|----------------------------|-----------|
| 4 | 8 | 2.2 | 2.0 | 8 | 1.4 | M1x0.25 |
| 5 | 8 | 3.1 | 2.0 | 8 | 2 | M1.6x0.20 |
| 6 | 8 | 3.1 | 2.0 | 8 | 2 | M1.6x0.20 |
| 8 | 10 | 4.4 | 2.5 | 10 | 3 | M2.3x0.25 |
| 10 | 12 | 5.2 | 3.0 | 12 | 3 | M2.5x0.35 |
| 12 | 14 | 6.2 | 3.0 | 14 | 4 | M3x0.35 |
| 16 | 14 | 8.2 | 3.5 | 14 | 5 | M4x0.35 |
| 20 | 16 | 11.0 | 4.5 | 16 | 5 | M4x0.35 |

Engraving Depth:
 Numbers: .2mm (.007")
 Arrows: .4mm (.015")

► CAD insertion point

To Order: Specify catalog number as shown below for the different style rings and plugs.

Ring Styles: Recessed Lettering



Months
 Cat #: DC-Diam
 Ex.: DC05
 Note:



A - M
 Cat #: DCA-Diam
 Ex.: DCA05



Years
 Cat #: DCY-Diam - Starting Year
 Ex.: DCY05-12
 Note: The DCY04 only has 4 years.



N - Z
 Cat #: DCZ-Diam
 Ex.: DCZ05



Days
 Cat #: DCL-Diam
 Ex.: DCL05
 Note: The DCL04 does not have tick marks.

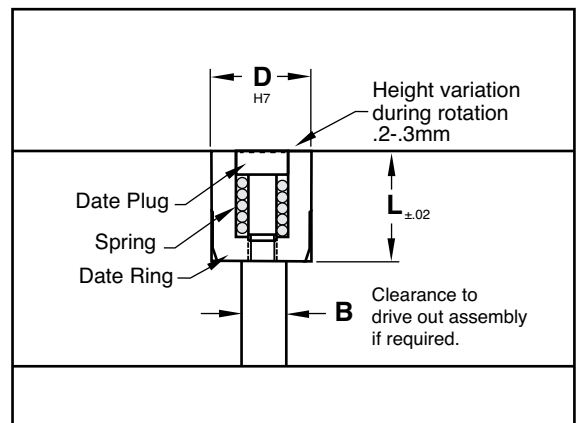


0 - 9
 Cat #: DCN-Diam
 Ex.: DCN05



Blank
 Cat #: DC-Diam - B
 Ex.: DC05-B

Installation Guidelines:



Maximum mold temperature: 285° F (140° C)

Plug Styles: Recessed Lettering



Year
 Cat #: DCP-Diam - Year
 Ex.: DCP05-12



Arrow Only
 Cat #: DCP-Diam - AO
 Ex.: DCP05-AO



C
 Cat #: DCP-Diam - C
 Ex.: DCP05-C

Special configurations are available. Contact Customer Service for more information.

* Where years are specified, any year can be ordered by changing the suffix.
 Example DCP05-13 or DCY05-14.

Plugs include springs and replacements are available.

European dater delivery in 2 weeks maximum,
 with shorter deliveries subject to availability.