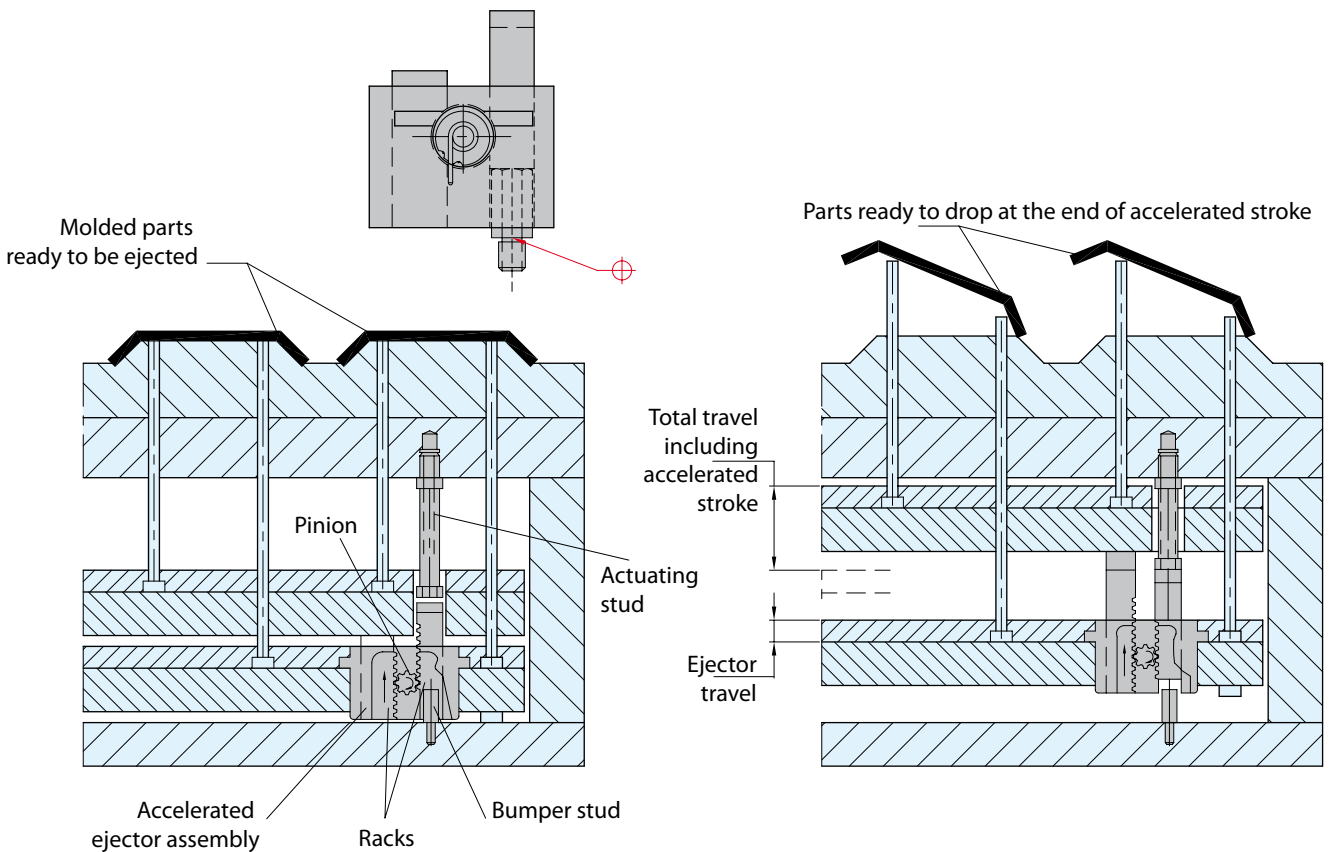


REF	A	B	C	D	E	F	G	H	J	K	L	M	N	P	Q	HH Cogs	Replacement parts	
																	Springs for	REF
AEB 10	53,97	26,97	28,57	15,87	14,28	40,64	27,94	1/2"	3,17	12,95	28,02	12,7	12,7	26,16	45,29	14	AEB-10	AE 18
AEB 20	73,03	36,5	41,28	28,57	20,64	47,63	31,75	5/8"	4,75	15,87	41,28	19,05	19,05	25,81	52,39	16	AEB-20	AE 28
REF	R	S	T	U	V	W	X	Y	Z	AA	BB	CC	DD	EE	FF	GG		
AEB 10	-	-	-	-	-	-	14,0	6,35	41,28	15/16"	6,35	6,35	19,05	9,52	5/16"-18	3/8"		
AEB 20	-	-	-	-	-	-	20,64	6,35	60,03	13/8"	4,76	6,35	18,29	12,7	3/8"-16	9/16"		



CAD reference point