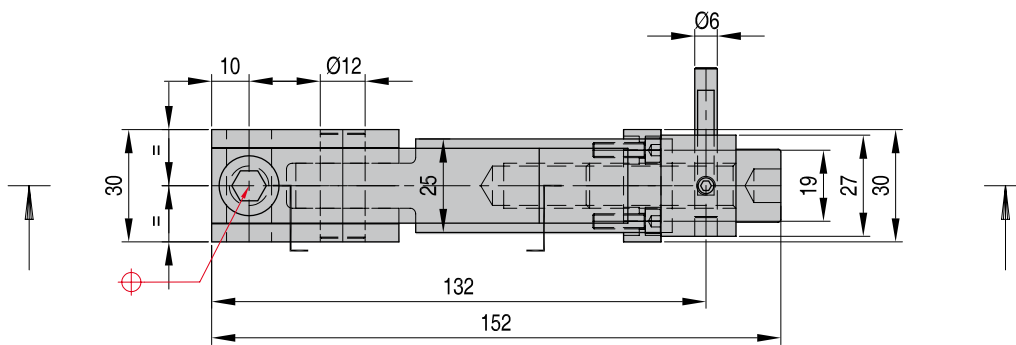


Static
Fmax. 40000 newton
Dynamic
Fmax. 16000 newton



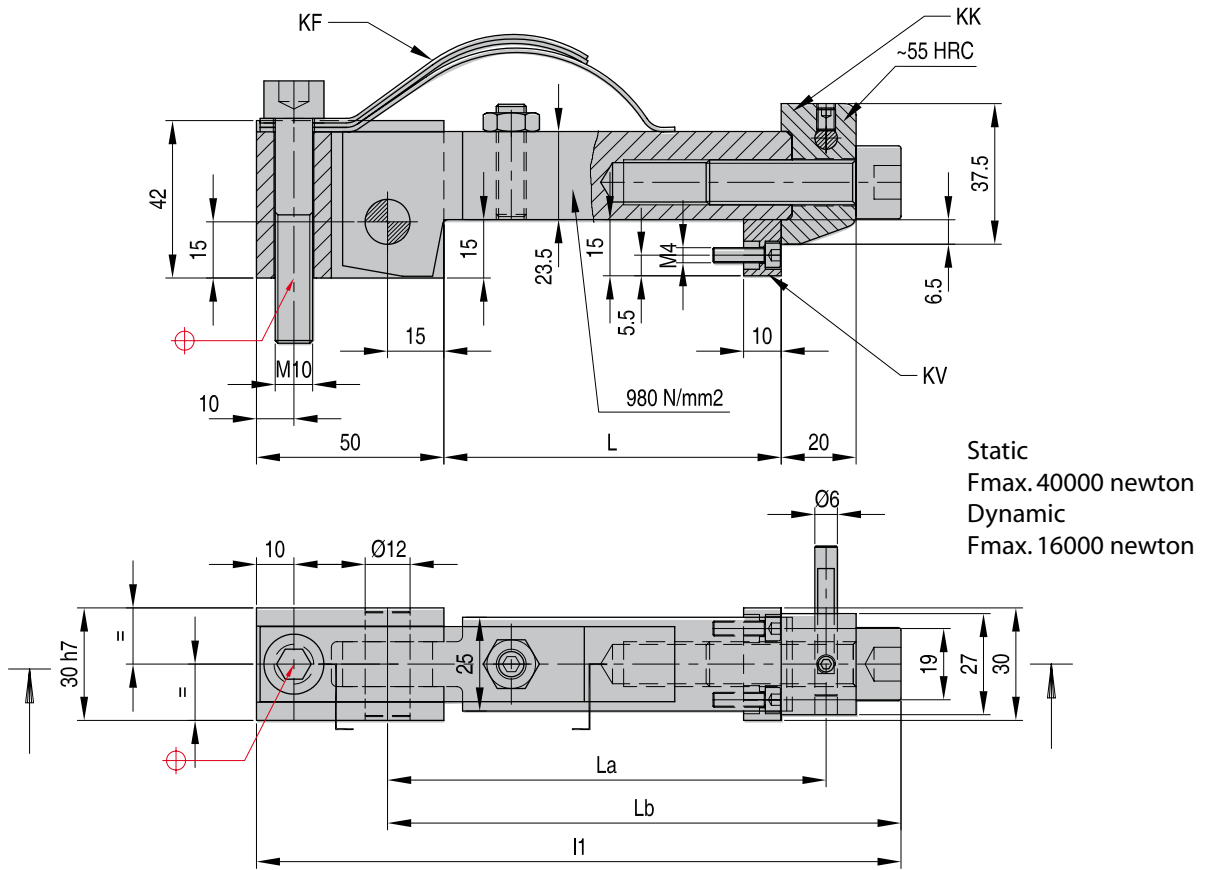
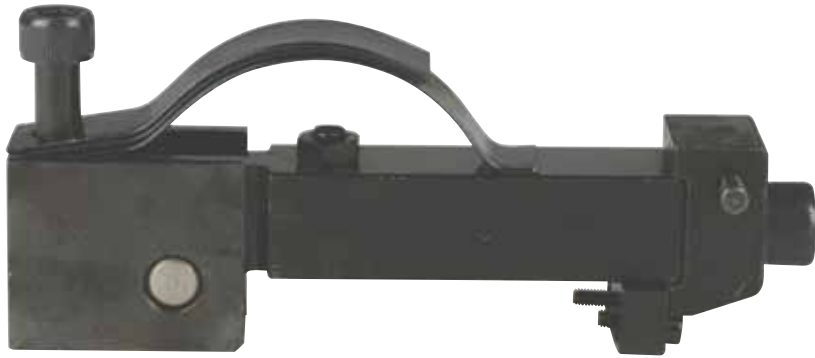
REF	Includes			To be ordered seperately
KL1-1-70	KF	KK	KV	KU

Number of Combinations

KL1/1/1 }
 KL1/1/2 } ———— KU1/1
 KL1/1/3 } ———— KU1/2

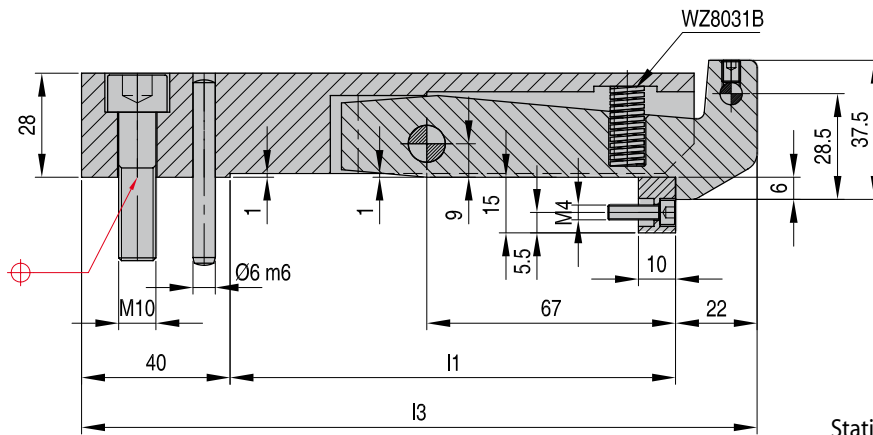
KL2/2 ———— KU2/2

CAD reference point

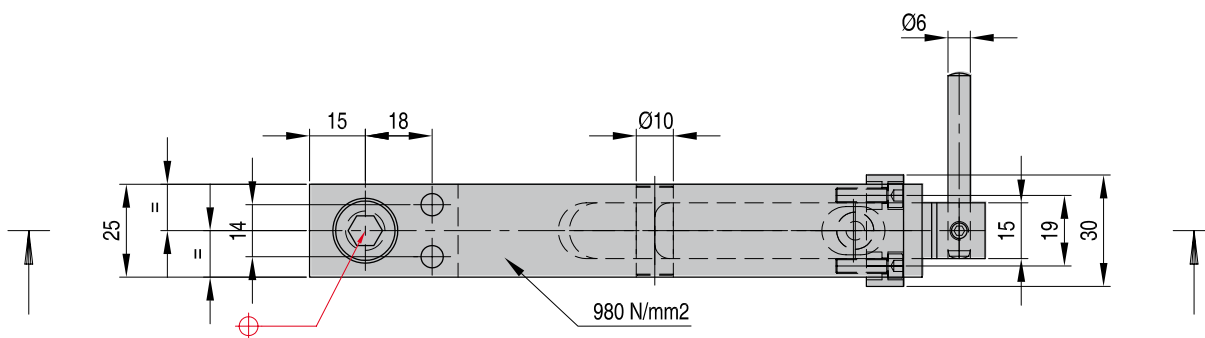


CAD reference point

REF	L	La	Lb	l1	Includes	To be ordered seperately
KL 1-2-90	90	117	137	172	KF/KK/KV	KU
KL 1-2-170	170	197	217	252	KF/KK/KV	KU
KL 1-2-220	220	247	267	302	KF/KK/KV	KU
KL 1-2-270	270	297	317	352	KF/KK/KV	KU

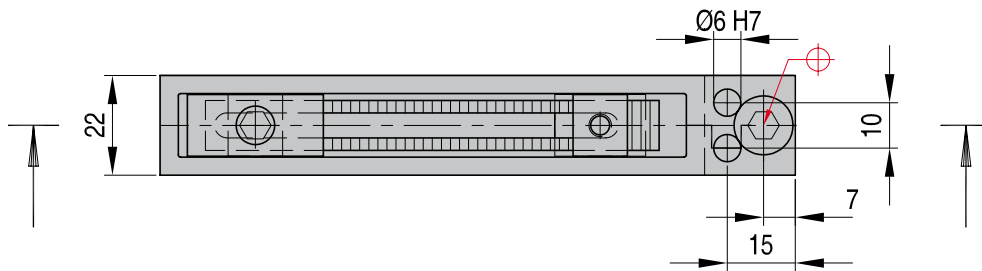
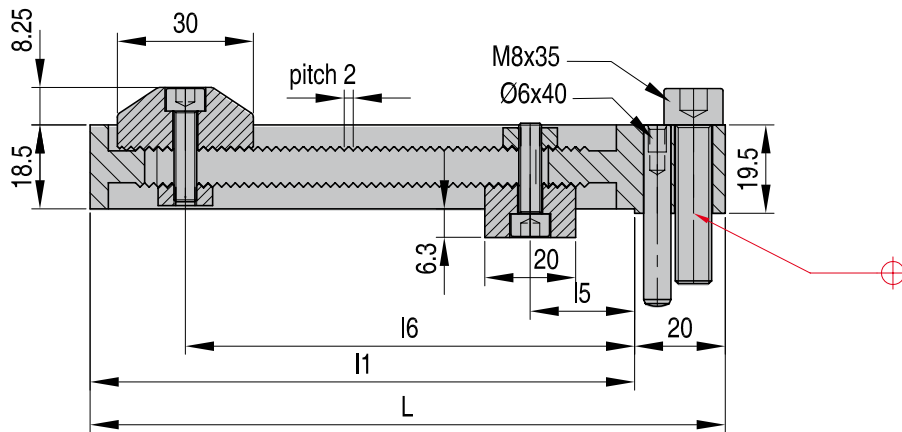


Static
Fmax. 65000 newton
Dynamic
Fmax. 30000 newton



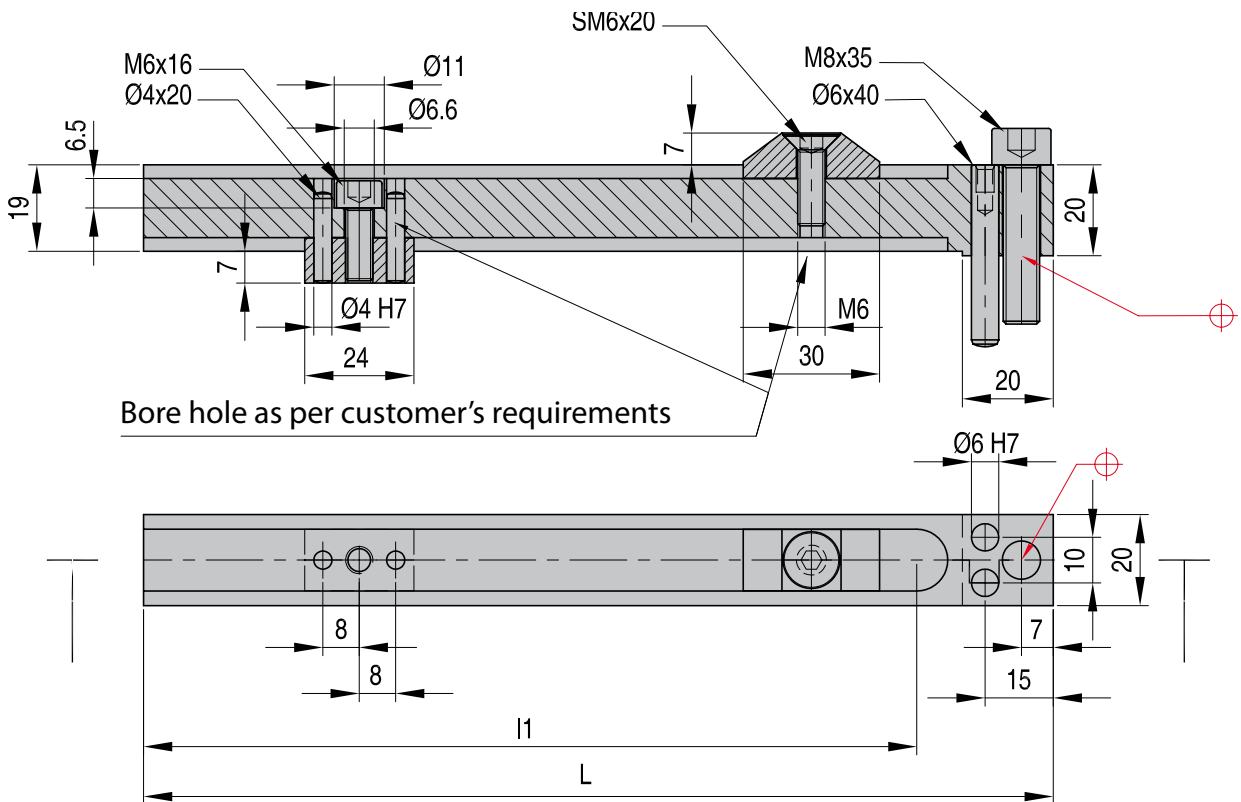
REF	I1	I3	Includes	To be ordered separately
KL 1-3-120	120	182	WZ8031 B 10-025	KU
KL 1-3-170	170	232		KU
KL 1-3-220	220	282		KU

CAD reference point

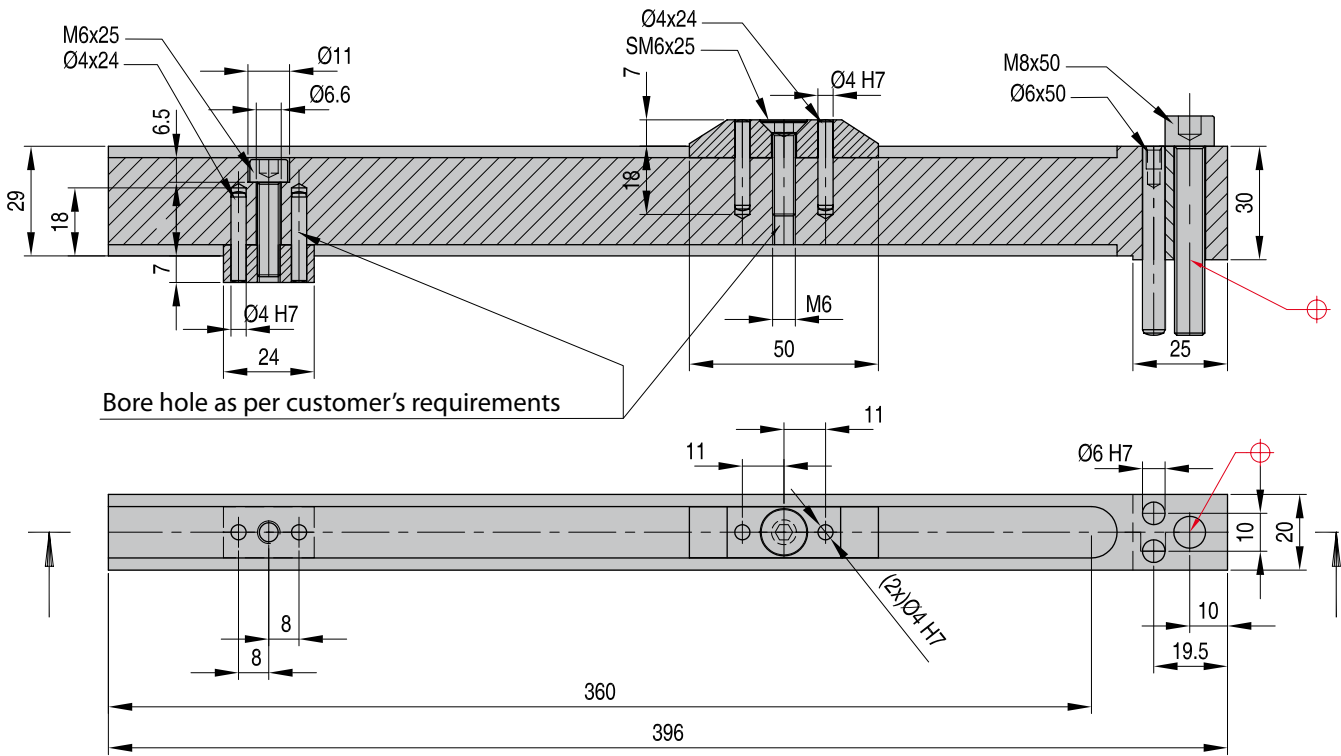


REF	L	I1	I5 min.	I5 max.	I6 min.	I6 max.
KU 1-1-140	140	120	23	105	23	99
KU 1-1-204	204	184	23	169	23	163
KU 1-1-254	254	234	23	219	23	213

CAD reference point



REF	L	l1
KU 1-2-200	200	170
KU 1-2-250	250	220
KU 1-2-300	300	270



REF for KL 2-2-256

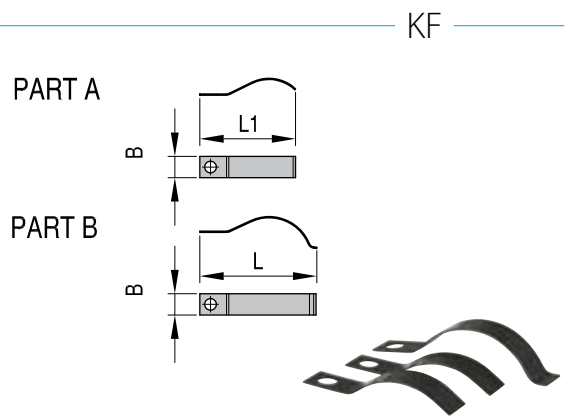
KU2-2-400

CAD reference point



Springs

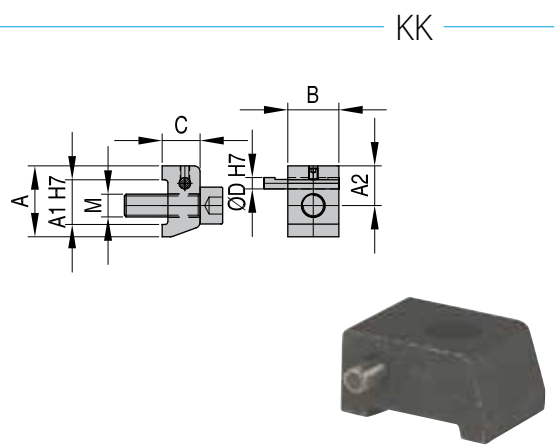
REF	PART A	PART B	B	L1	L	FOR LATCH LOCK
KF 12-70	2x	1x	20	90	110	KL 1-2-70
KF 12-90	2x	1x	20	90	110	KL 1-2-90
KF 12-170	2x	1x	20	90	110	KL 1-2-170
KF 12-220-270	2x	1x	20	127	157	KL 1-2-220 - 270
KF 22-256	2x	1x	25	127	157	KL 2-2-256



Heads

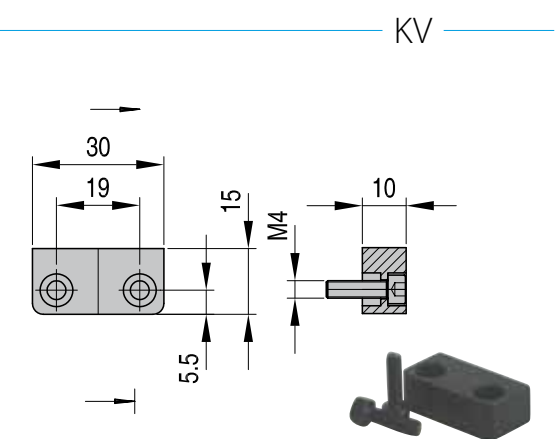
REF	A	A1	A2	M	D	B	C
KK 11-12	37,5	23,6	21	157	6	27	20
KK 22	55	40	18,75	157	12	30	27

KK 11-12 for latch lock KL1-1-70 / KL1-2-170 / KL1-2-220 / KL1-2-270
KK 22 for latch lock KL2-2-256



Wearing bars

REF	
KV 11-12	FOR ALL KL



Springs

REF	
WZ 8031 B 10-25	FOR ALL KL 1-3-*

